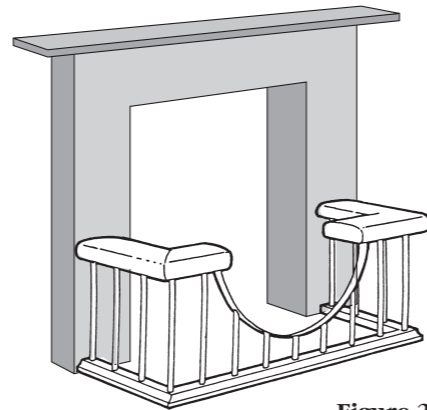


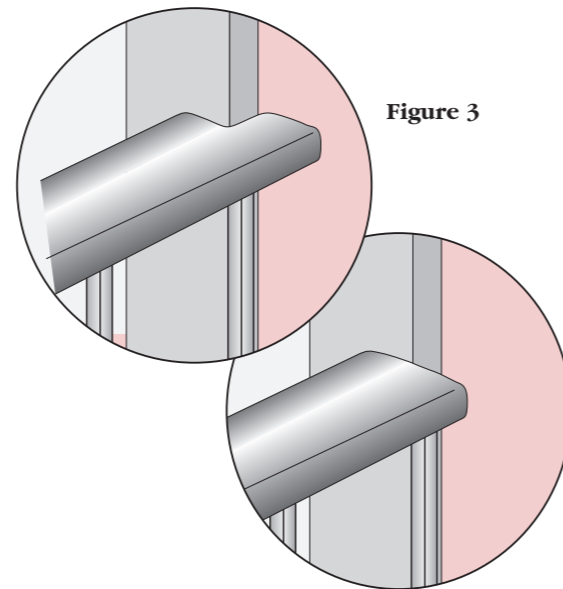
**Figure 1**

Tick to select

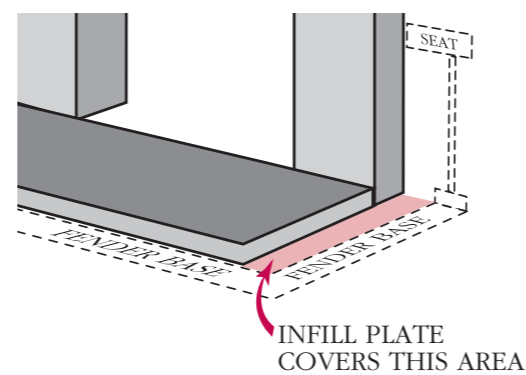


**Figure 2**

Tick to select



**Figure 3**



**Figure 4**

## Introductory Notes

Rather than ask for the measurements of a club fender, I have found, with the experience of measuring many hundreds, that it is much easier (and less stressful!) to ask instead for the measurements of the fireplace, and then, with the extra information gleaned from the few questions we also ask, we can work out the dimensions and the best way to position your fender. It may be helpful to keep in mind that standard seats are 7 in. (175 mm) wide and that the outside edge of the seat is vertically in line with the outside edge of the base for maximum stability, though we can sometimes offset the seat so that it extends beyond the base.

Please alter the sketch to resemble your fireplace, or even draw your own sketch. **Any photograph is also very helpful.** Instead of supplying the measurements required on the right, you can of course, if you prefer, just give me a sketch of the fender base or seats showing the dimensions.

If you are going to need 'infill plates' (these are made usually in black steel and cover any gaps between the fender base and the hearthstone, etc as shown in Fig. 4 below left), or cut-outs in the seats, then we can advise you. We will also look at the general dimensions and offer any other advice that we feel might improve the design.

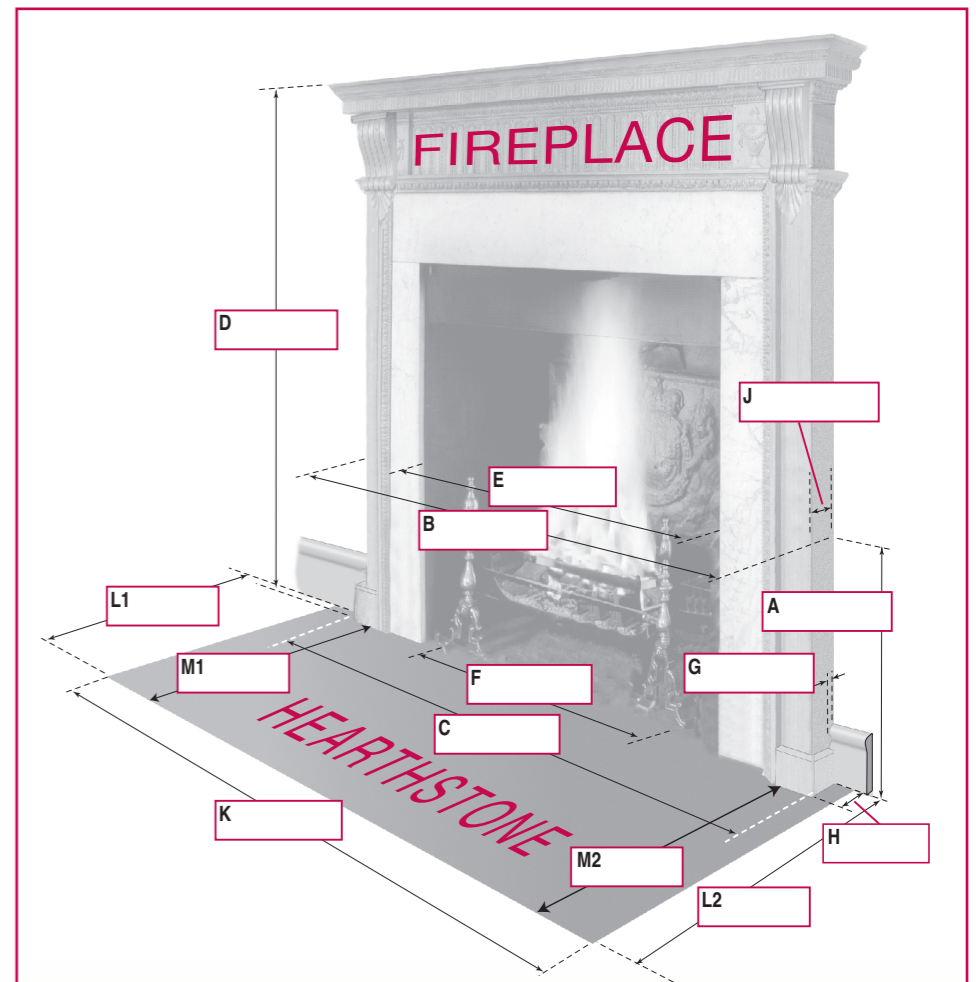
**If you cannot face doing any measuring yourself, but have decided to order a fender from us, then providing the distance is practicable, we will of course come and measure for you and offer on-the-spot advice, if this is what you would prefer.**

A club fender is an acquisition which can need mulling over before a decision is made, so please ring to discuss anything. If the office is shut, please leave a message for us to return your call.

## Measuring

Generally, the seats of a club fender will either fit around the outside of the fireplace so that they go back to the wall on either side (as in Figure 1 above left), or they will butt up to the mantelpiece supports (as in Figure 2 above left).

**Please tick the appropriate box below either Figure 1 or Figure 2. Also please supply the measurements requested (right) as applicable to your fireplace. Either use the boxes on the illustration or the space provided on the right of each question.**



Measurements are in:  inches  mm

<b>A</b> Overall height of fender (usually 18"-24" (460-610 mm). 20" is typical)	.....
<b>B</b> Overall width of fireplace at seat height	.....
<b>C</b> Overall width of fireplace at floor level (if different to B above)	.....
<b>D</b> Height of the fireplace (this may affect the height of the fender)	.....
<b>E</b> Width of fireplace opening	.....
<b>F</b> Width of fire basket or grate	.....
<b>G</b> Thickness of skirting board (if applicable)	.....
<b>H</b> Distance from skirting board (if any) to the front of mantel supports at floor level	.....
<b>J</b> Distance from wall to the front of mantel supports at seat height	.....
<b>K</b> Width of hearthstone <input type="checkbox"/> None <input type="checkbox"/> Flat <input type="checkbox"/> Raised	.....
Do you want the fender base to sit: <input type="checkbox"/> on the hearthstone or <input type="checkbox"/> around the hearthstone?	.....
<b>L</b> Distance to the skirting board or to wall if no skirting board	<b>L1</b> (Left hand side) <b>L2</b> (Right hand side)
<b>M</b> Distance to the front of the fireplace/fire surround	<b>M1</b> (Left hand side) <b>M2</b> (Right hand side)

If there is any fitting (eg gas pipe, electric socket) which might affect the base butting up to the wall or skirting board, or bookcases close to the fireplace please draw them in on the diagram above, showing both position and distance protruding:

### Finally ...

Please fill in your name and address where indicated on the Price List and Order Form and return both forms to us. We will cross-check your measurements and contact you if we find any discrepancies. Please do not worry that there may be a mistake — we know exactly where the critical points are and we shall not proceed with manufacture until we are absolutely clear.

# Measuring Sheet

